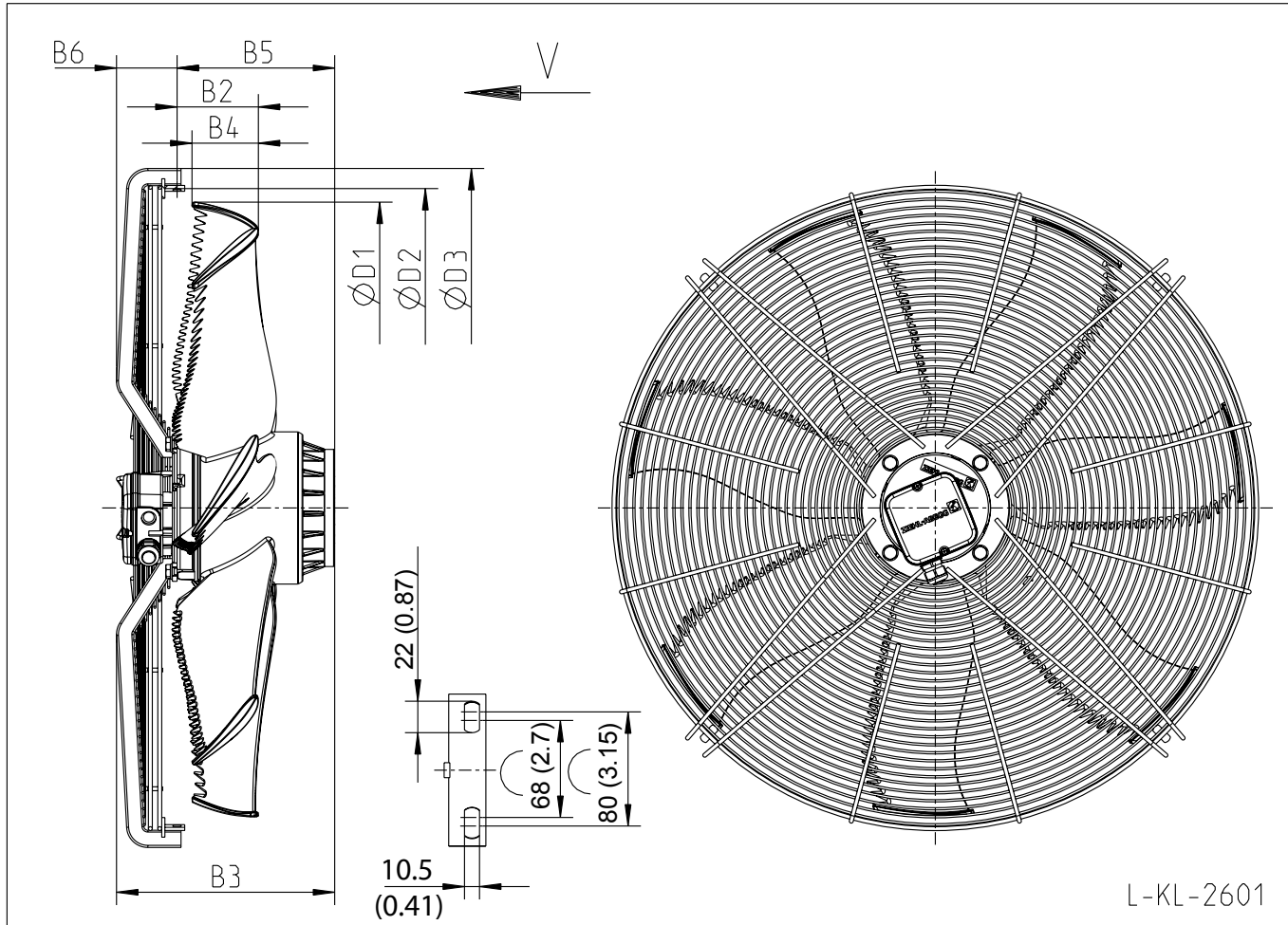


FE2owlet

FN080- DS.6 .V7

Airflow direction	V
Design	S
Material of impeller	Aluminium



**FN
080**

L-KL-2601

Type	Article no.	B2		B3		B4		B5		B6		D1		D2		D3	
		mm	inch	mm	inch	mm	inch	mm	inch	mm	inch	mm	inch	mm	inch	mm	inch
FN080-SDS.6N.V7	153 173	103	4.06	277	10.91	85	3.35	200	7.87	77	3.03	788	31.02	814	32.05	866	34.09
FN080-ADS.6N.V7	153 157	103	4.06	277	10.91	85	3.35	200	7.87	77	3.03	788	31.02	814	32.05	866	34.09
FN080-NDS.6F.V7	160 405(R)*	103	4.06	227	8.94	85	3.35	150	5.91	77	3.03	788	31.02	814	32.05	866	34.09

*(R) Ring grille